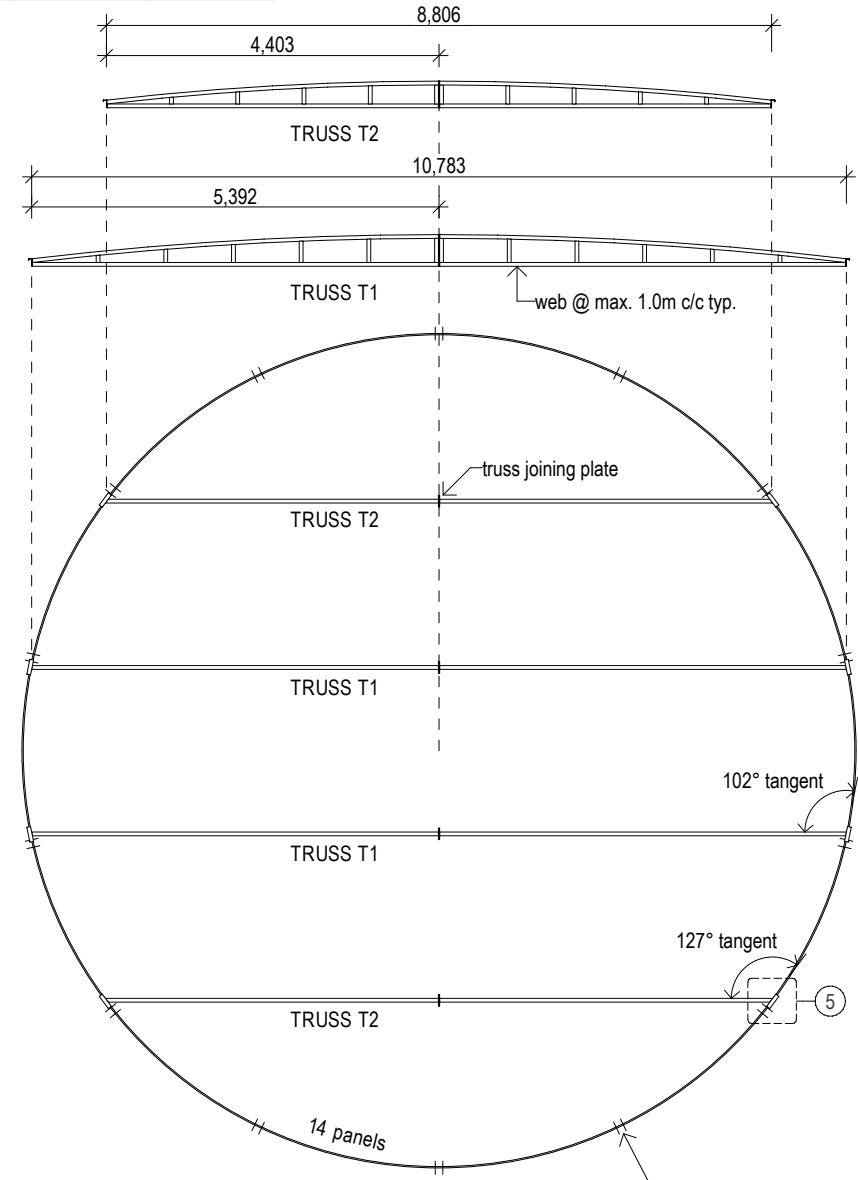
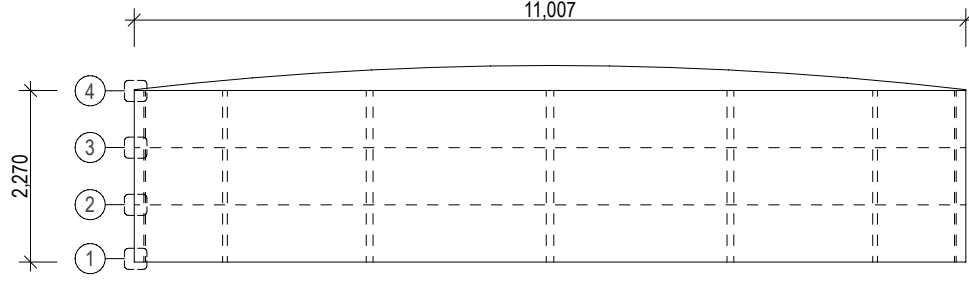


TRUSS SCHEDULE		
ELEMENT	DESCRIPTION	
	REGION 'A'	REGION 'B'
TOP CHORD	50 x 1.6 SHS	50 x 2.0 SHS
BTM CHORD	50 x 1.6 SHS	50 x 2.0 SHS
WEB	30 x 3 EA	30 x 3 EA
TRUSS END	4 - 10g TEKS	4 - 10g TEKS



MT216 - PLAN VIEW
11,007mm Diameter Tank x 2,270mm high
SCALE 1:100

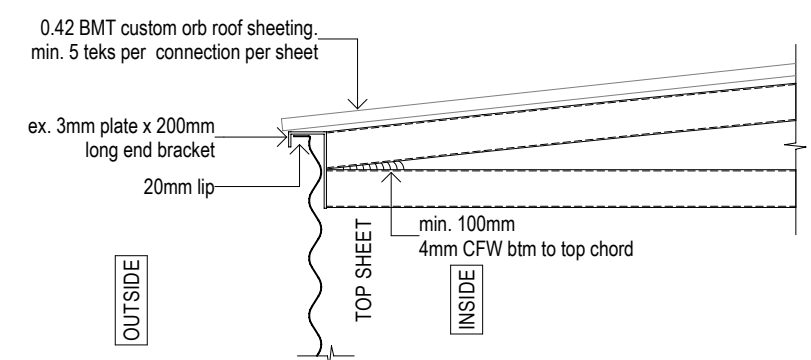


MT216 - ELEVATION
SCALE 1:100

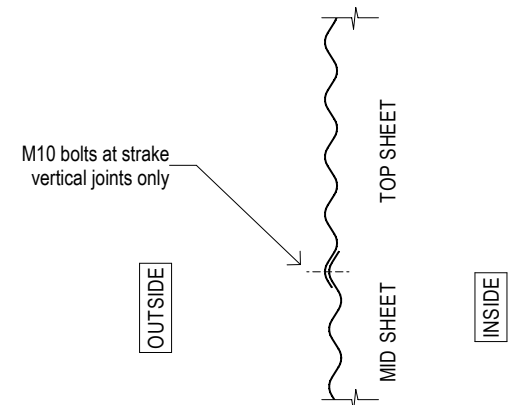
- NOTES**
- WALL SHEET STEEL GRADE G300
 - ROOF SHEETING 0.42 'CUSTOM ORB' MIN 5 TEKS PER CONNECTION PER SHEET & EQUIVALENT SPACING CIRCUMFERENTIAL FIXING TO TOP OF TANK
 - ROOF SHEETING TO BE SIDE LAP FASTENED AT MAX. 1.0m C/C
 - ALL BOLTS GRADE M10 (8.8) GALV.
 - ROOF TRUSS STEEL GRADE C350
 - MIN. FILLET WELD SIZE OF 4mm

DESIGN CRITERIA

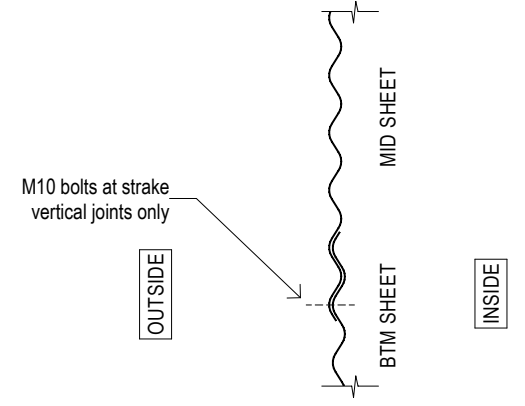
AS/NZS 1170.2, 2021 (WIND ACTIONS)
REGION A & B
TERRAIN CATEGORY 2
IMPORTANCE LEVEL 2



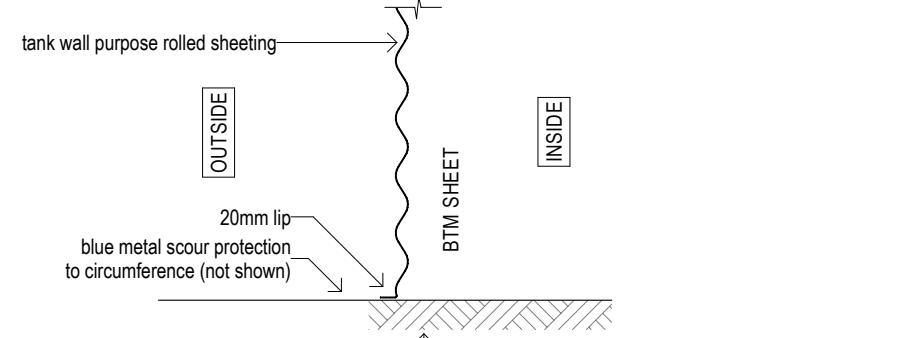
DETAIL 4 SCALE 1:10



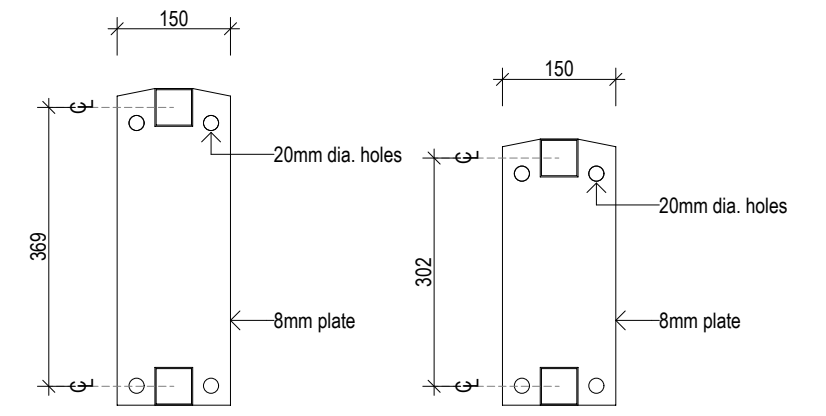
DETAIL 3 SCALE 1:10



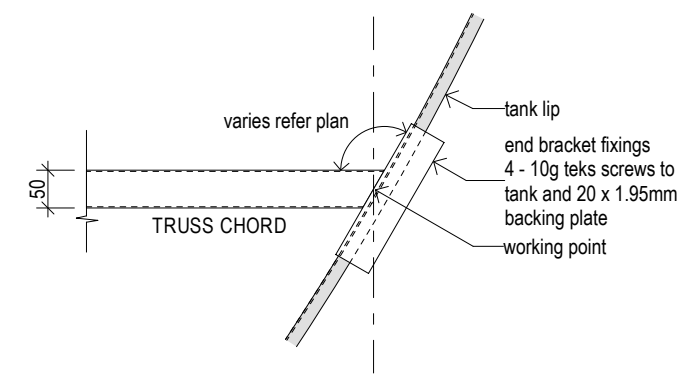
DETAIL 2 SCALE 1:10



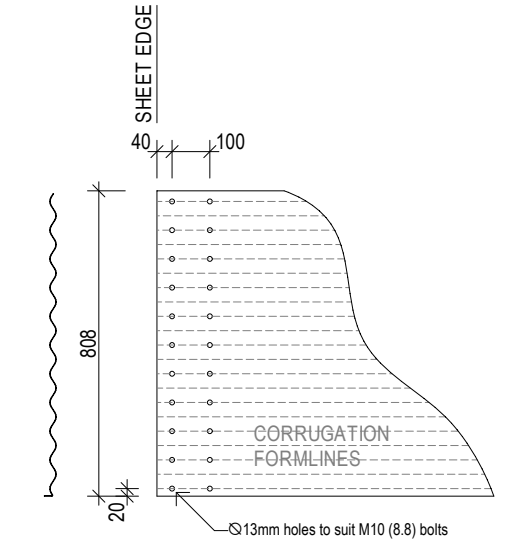
DETAIL 1 SCALE 1:10
tank base restraint & pad preparation in accordance with tank manufacturers specification fix to suitable foundation, slab or tie down system



TRUSS JOINING PLATE SCALE 1:10



DETAIL 5 SCALE 1:10



TYPICAL BOLTING ARRANGEMENT
SCALE 1:20



Client	Scale AS SHOWN @ A3	Date 18/8/23	Drawn By
Drawing Title MT216 - 216,000 LITRE TANK	Project No.	Drawing No.	Issue No.