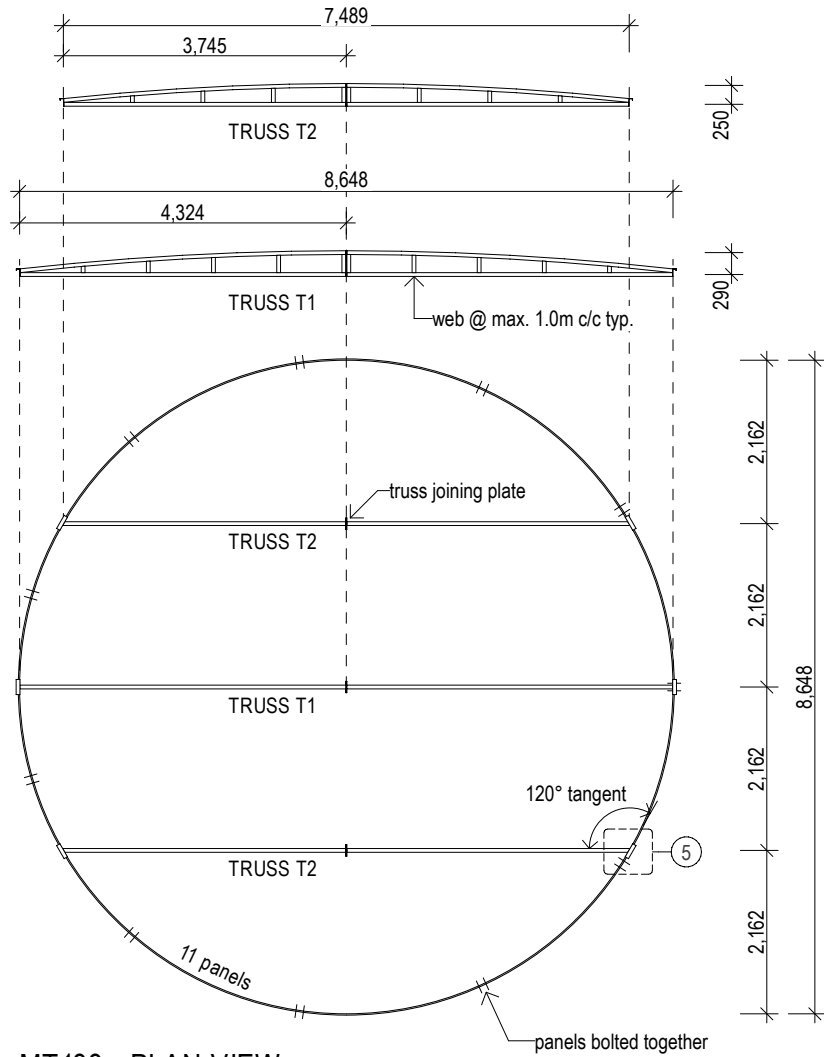
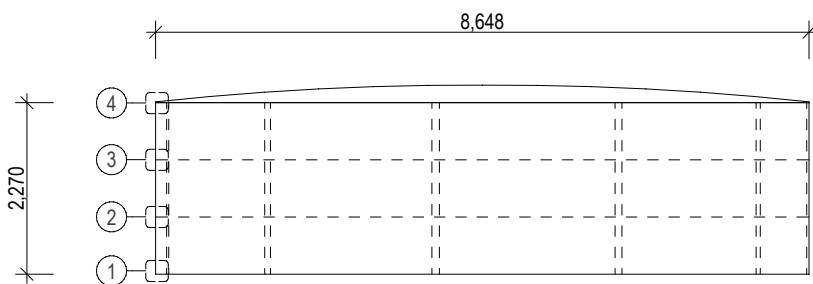


TRUSS SCHEDULE

| ELEMENT | DESCRIPTION | |
|-----------|--------------|--------------|
| | REGION 'A' | REGION 'B' |
| TOP CHORD | 50 x 1.6 SHS | 50 x 1.6 SHS |
| BTM CHORD | 50 x 1.6 SHS | 50 x 1.6 SHS |
| WEB | 30 x 3 EA | 30 x 3 EA |
| TRUSS END | 4 - 10g TEKS | 4 - 10g TEKS |



MT133 - PLAN VIEW
8,648mm Diameter Tank x 2,270mm high
SCALE 1:100



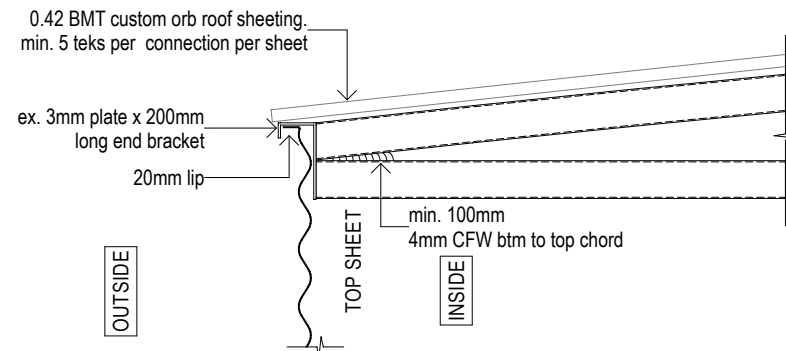
MT133 - ELEVATION
SCALE 1:100

NOTES

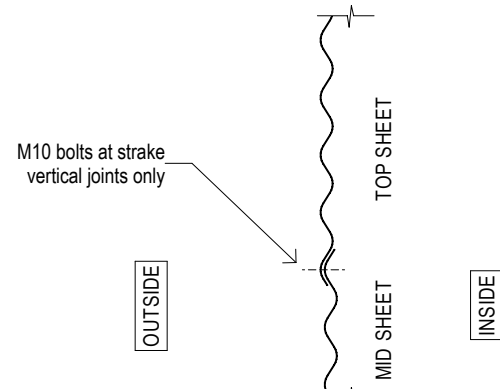
- WALL SHEET STEEL GRADE G300
- ROOF SHEETING 0.42 'CUSTOM ORB' MIN 5 TEKS PER CONNECTION PER SHEET & EQUIVALENT SPACING CIRCUMFERENTIAL FIXING TO TOP OF TANK
- ROOF SHEETING TO BE SIDE LAP FASTENED AT MAX. 1.0m C/C
- ALL BOLTS GRADE M10 (8.8) GALV.
- ROOF TRUSS STEEL GRADE C350
- MIN. FILLET WELD SIZE OF 4mm

DESIGN CRITERIA

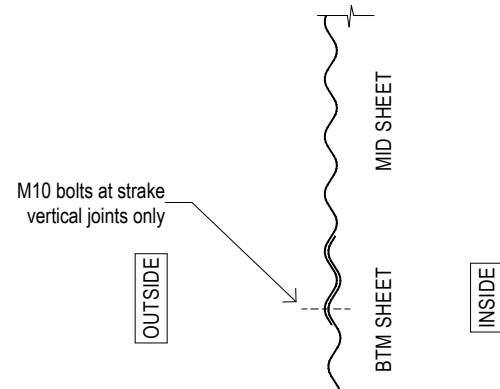
AS/NZS 1170.2, 2021 (WIND ACTIONS)
REGION A & B
TERRAIN CATEGORY 2
IMPORTANCE LEVEL 2



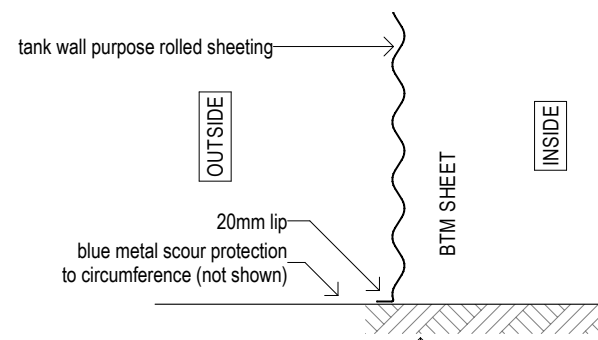
DETAIL 4 SCALE 1:10



DETAIL 3 SCALE 1:10

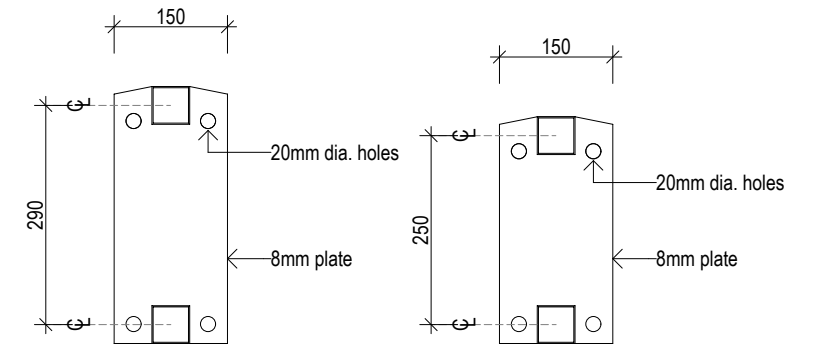


DETAIL 2 SCALE 1:10

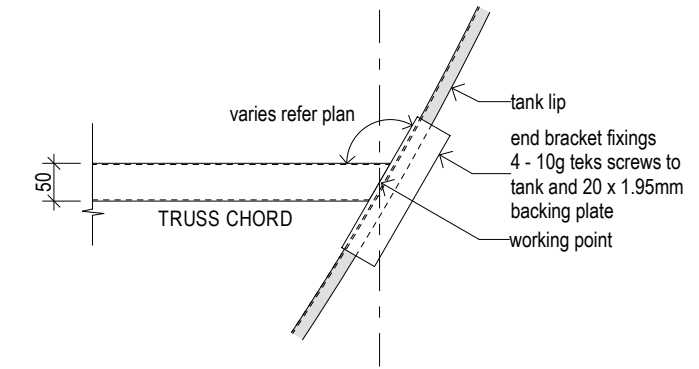


DETAIL 1 SCALE 1:10

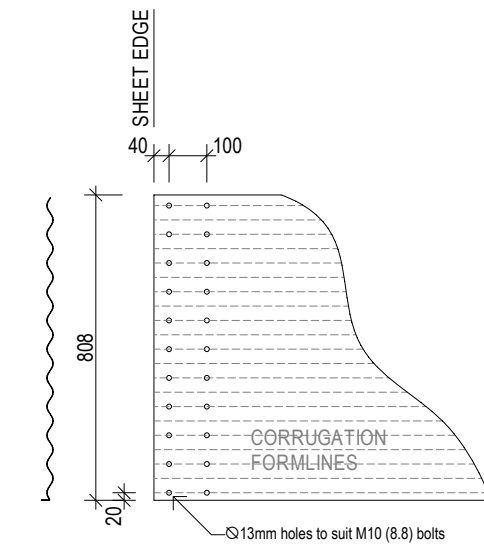
tank base restraint & pad preparation in accordance with tank manufacturers specification fix to suitable foundation, slab or tie down system



TRUSS JOINING PLATE SCALE 1:10



DETAIL 5 SCALE 1:10



TYPICAL BOLTING ARRANGEMENT
SCALE 1:20



| | | | |
|--|-------------------------------|-----------------------|---|
| Client | Scale AS SHOWN @ A3 | Date 4/8/23 | Drawn By |
| Drawing Title MT133 - 133,000 LITRE TANK | Project No. | Drawing No. | Issue No. |