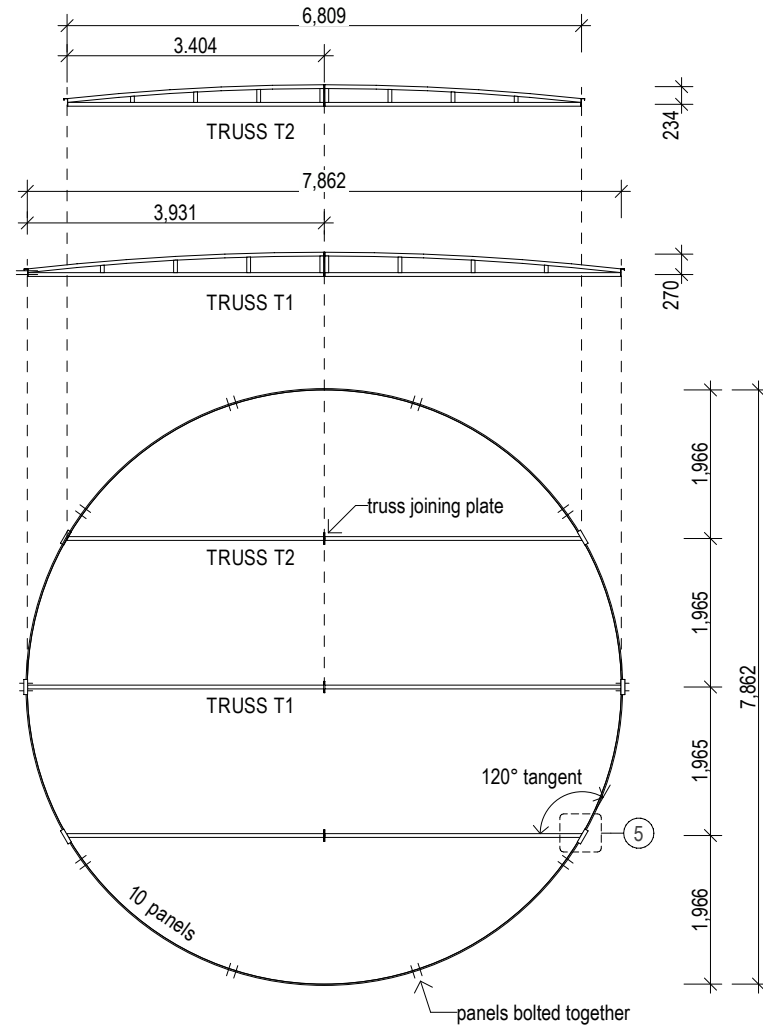
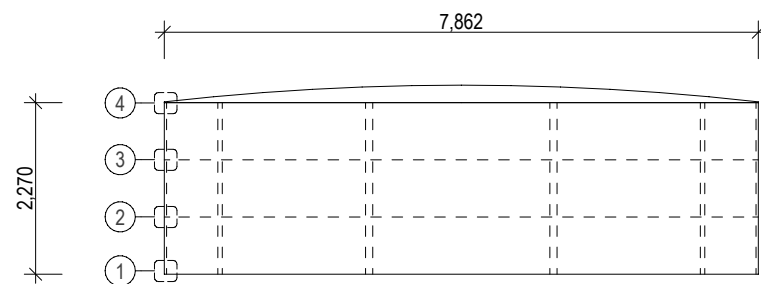


TRUSS SCHEDULE

ELEMENT	DESCRIPTION	
	REGION 'A'	REGION 'B'
TOP CHORD	50 x 1.6 SHS	50 x 1.6 SHS
BTM CHORD	50 x 1.6 SHS	50 x 1.6 SHS
WEB	30 x 3 EA	30 x 3 EA
TRUSS END	4 - 10g TEKS	4 - 10g TEKS



MT110 - PLAN VIEW
7,862mm Diameter Tank x 2,270mm high
SCALE 1:100



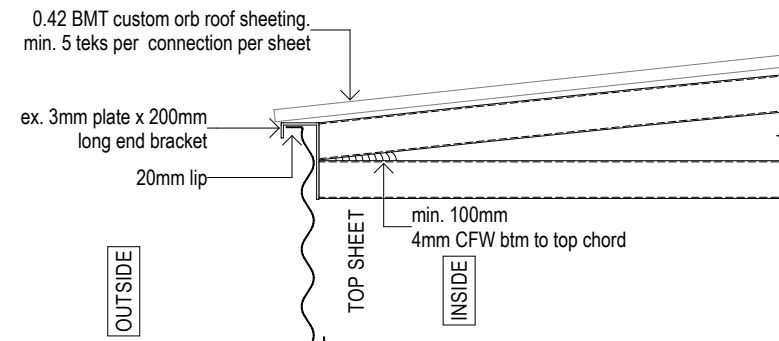
MT110 - ELEVATION
SCALE 1:100

NOTES

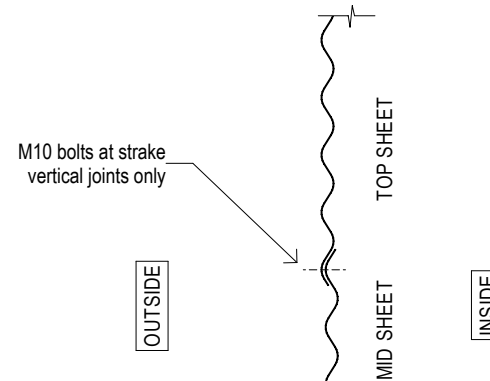
1. WALL SHEET STEEL GRADE G300
2. ROOF SHEETING 0.42 'CUSTOM ORB' MIN 5 TEKS PER CONNECTION PER SHEET & EQUIVALENT SPACING CIRCUMFERENTIAL FIXING TO TOP OF TANK
3. ROOF SHEETING TO BE SIDE LAP FASTENED AT MAX. 1.0m C/C
4. ALL BOLTS GRADE M10 (8.8) GALV.
5. ROOF TRUSS STEEL GRADE C350
6. MIN. FILLET WELD SIZE OF 4mm

DESIGN CRITERIA

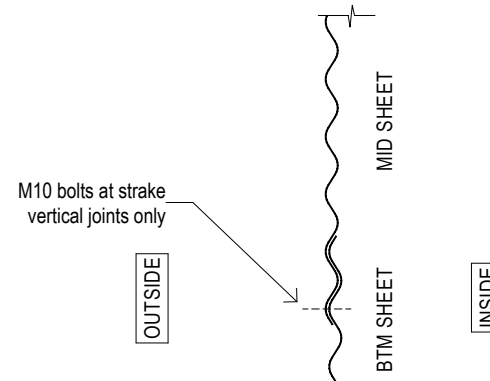
AS/NZS 1170.2, 2021 (WIND ACTIONS)
REGION A & B
TERRAIN CATEGORY 2
IMPORTANCE LEVEL 2



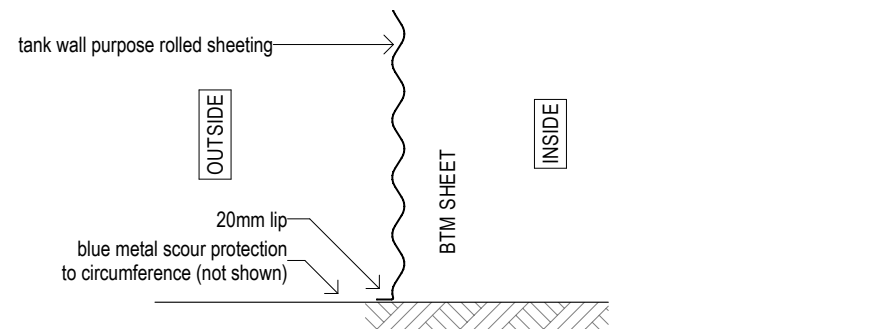
DETAIL 4 SCALE 1:10



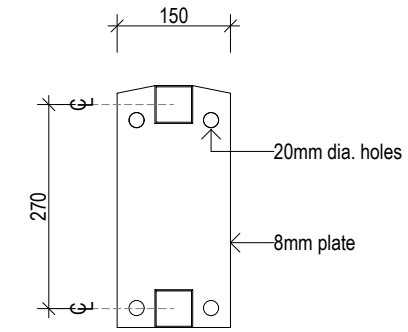
DETAIL 3 SCALE 1:10



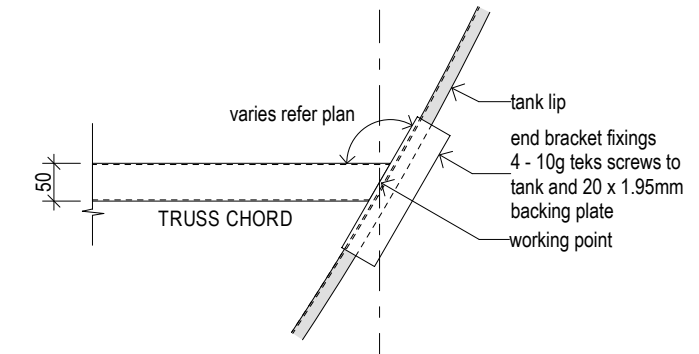
DETAIL 2 SCALE 1:10



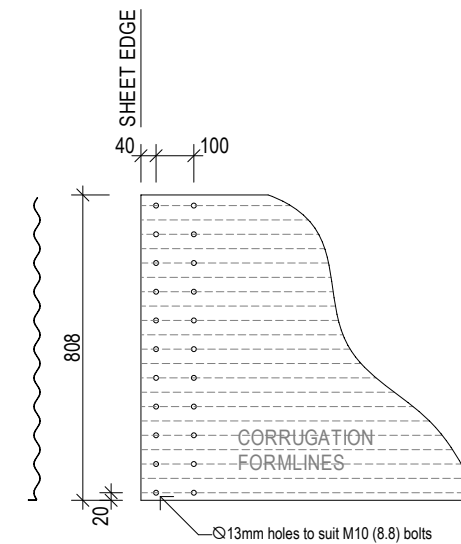
DETAIL 1 SCALE 1:10



TRUSS JOINING PLATE SCALE 1:10



DETAIL 5 SCALE 1:10



TYPICAL BOLTING ARRANGEMENT
SCALE 1:20



Client	Scale AS SHOWN @ A3	Date 23/7/23	Drawn By
Drawing Title MT110 - 110,000 LITRE TANK	Project No.	Drawing No.	Issue No.